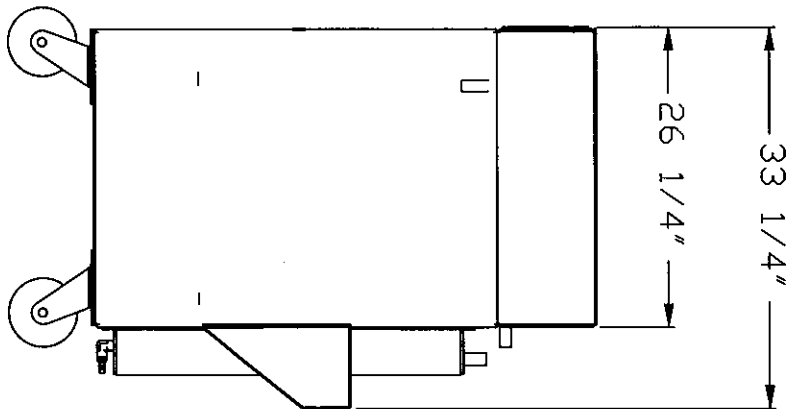
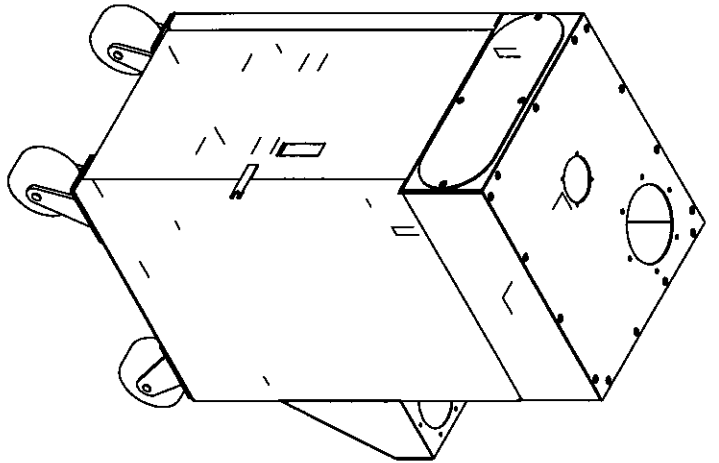
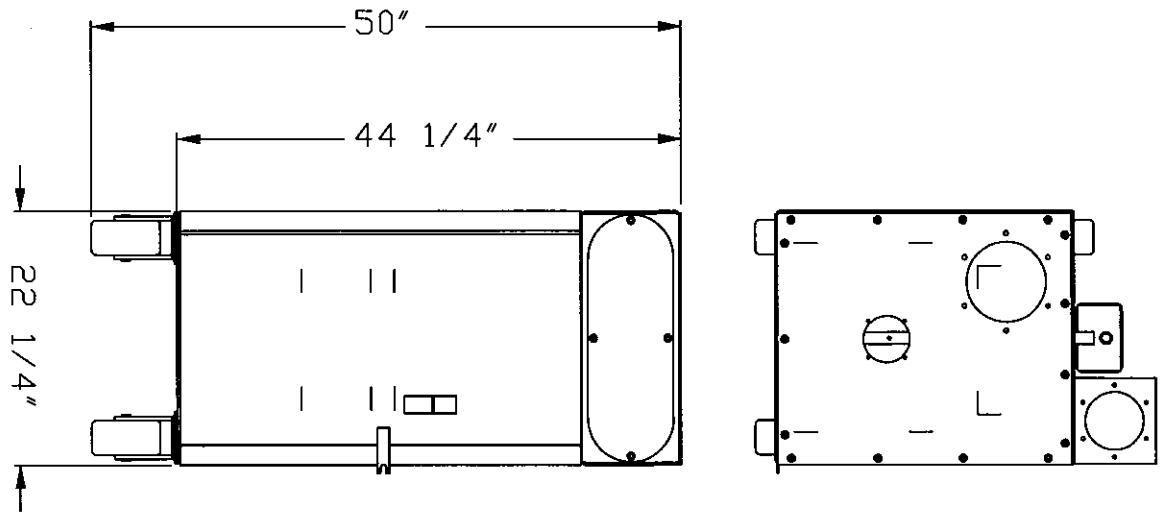


DWG. NO.



MATERIAL: DC-1100 SINGLE CARTRIDGE DUST COLLECTOR

TITLE: -

NAME	SIZE	DWG. NO.	REV
DRAWN BY	A		
AREA			
SCALE:	WEIGHT:	DATE: 6/22/2010 10:05:52 AM	