

DWG. NO.

(++reqd) REQ'D

STANDARD TOLERANCES UNLESS OTHERWISE SPECIFIED		
0.0	± .020	SURFACE FINISH 250 ✓
0.00	± .010	
0.000	± .005	
0.0000	± .0005	
FRAC DIM	± 1/32	
ANG DIM	± 1/2°	

TITLE: AMS-300 SSD without conveyor

JOB: ++job

DWG. NO. AMS-300 SSD

SIZE A

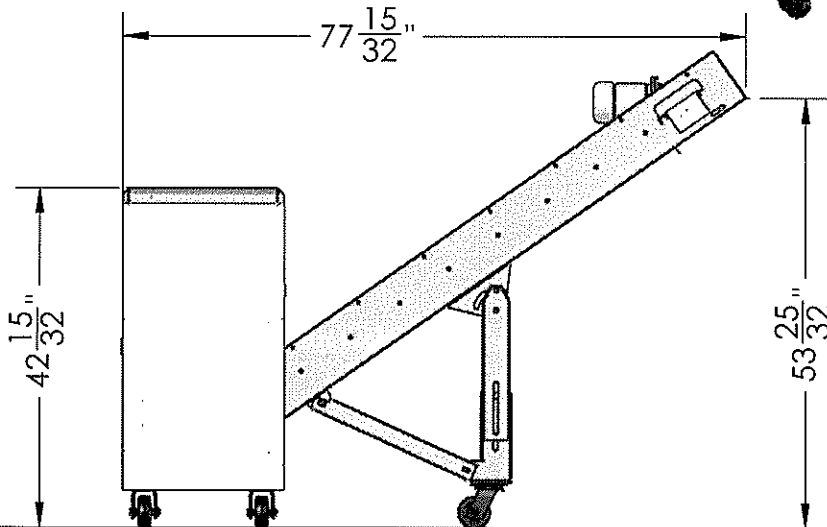
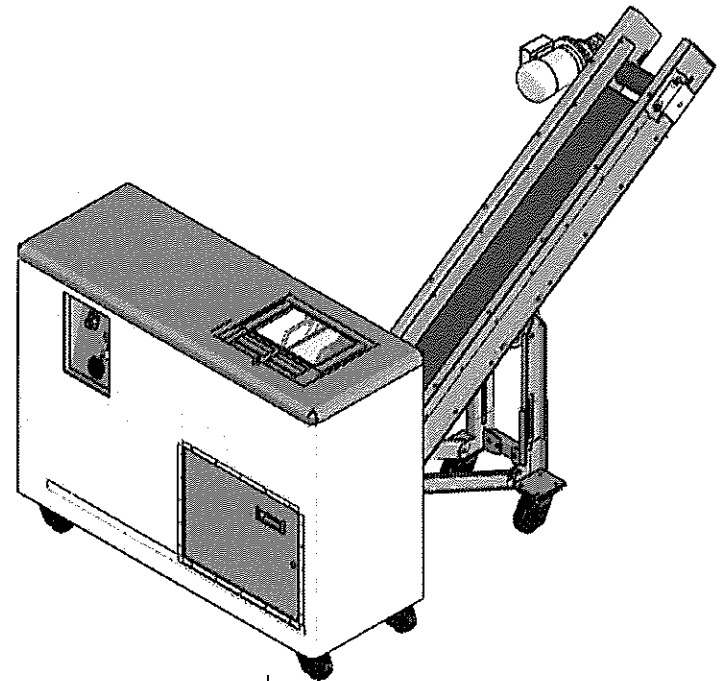
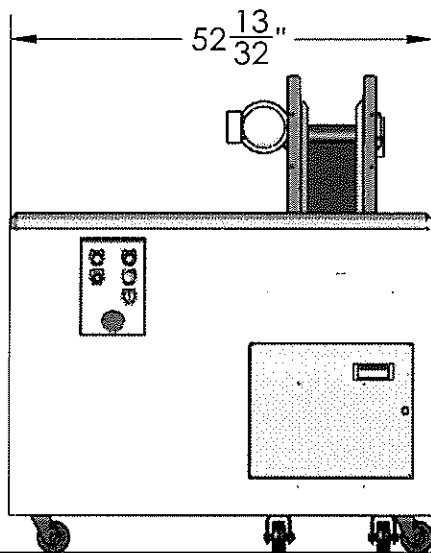
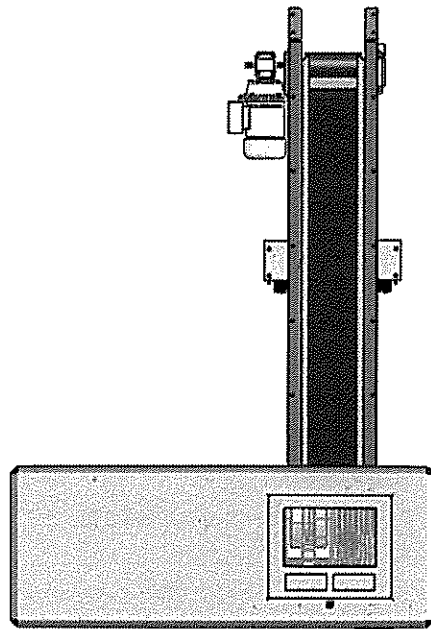
DRAWN BY: bm

REV: 1

WEIGHT:

DATE: 3/19/2015 4:50:15 PM

34395-SSD non AOC version



DWG. NO.

(++reqd) REQ'D

STANDARD TOLERANCES UNLESS OTHERWISE SPECIFIED		
0.0	± .020	SURFACE FINISH 250 ✓
0.00	± .010	
0.000	± .005	
0.0000	± .0005	
FRAC DIM	± 1/32	
ANG DIM	± 1/2°	

TITLE: AMS-300 SSD		DWG. NO.	SIZE
JOB: ++job		AMS-300 SSD w AOC	A
DRAWN BY: -	REV:	WEIGHT:	DATE: 3/19/2015 4:37:11 PM

34395-SSD AOC version