



VERTICAL BALER CART TIPPER

AMS-T1V

Ameri-Shred's AMS-T1V cart tipper is perfect for bulk and waste handling applications that empty tilt trucks into a vertical baler. These versatile cart tippers reduce operator fatigue while increasing efficiency.

SPECIFICATIONS:

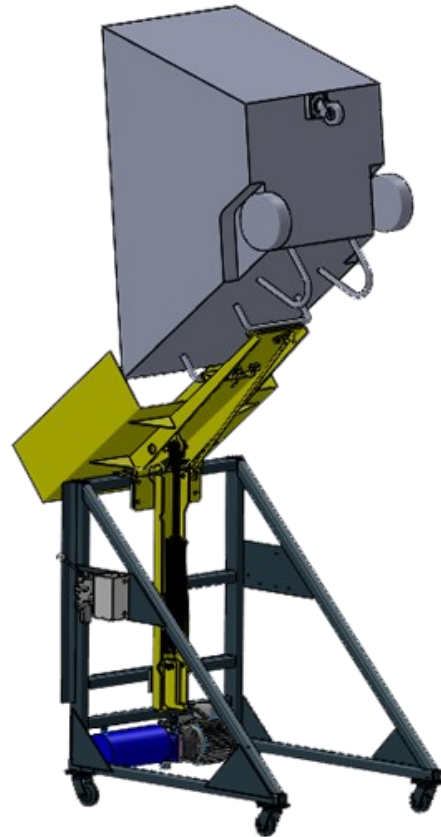
- **Carts:** 1-cubic-yard plastic tilt trucks
- **Lifting Capacity:** 350 lbs.
- **Discharge Height:** 54.25"
- **Motor:** 1.5 HP, 120v
- **Weight:** 850 lbs.
- **Warranty:** One year

Inclusions:

- 10' Cord
- Casters
- Baler Door Brackets

Customization:

As an original equipment manufacturer, we can modify the specifications to accommodate custom requests for your application.



Ameri-Shred Corp.
3490 US 23 North
Alpena, MI 49707

Toll Free: 800-634-8981
Phone: 989-358-6121

Email: info@ameri-shred.com
www.ameri-shred.com

