



# MEDICAL PLANT WASTE SHREDDERS

## Series 1 MJ Dual Shaft Shredders

Ameri-Shred's Medical Plant Waste Shredders utilize a low speed, high torque design to easily shred medical plant waste to a desired size.

### MEDICAL PLANT WASTE INCLUDES:

- Medicinal Plants
- Vegetative Plants
- Plant Root Balls
- Plant Stems & Stalks
- Plant Leaves
- Rockwool
- Hemp Plant Waste
- Failed Clones
- Harvest Waste



## Features & Options

### BEARING PROTECTION

Shredded contaminants are prevented from reaching the bearings through the use of false walls and seals.

### INDIVIDUAL CLEANING FINGERS

Reduces wrapping and material packing between the cutters, while being easy to remove and adjust.

### CUSTOM LAYOUTS

System Engineers will work to ensure the shredder and supports fit seamlessly into your system.

### CUTTER DESIGN

The number and length of hooks, as well as cutter width are selected to maximize throughput.

### AUTO SHAFT REVERSAL

Improves online reliability by reorienting material to grab, preventing overfeeding, and protecting against damage from unshreddable objects.

### HIGH TORQUE, LOW SPEED TECHNOLOGY

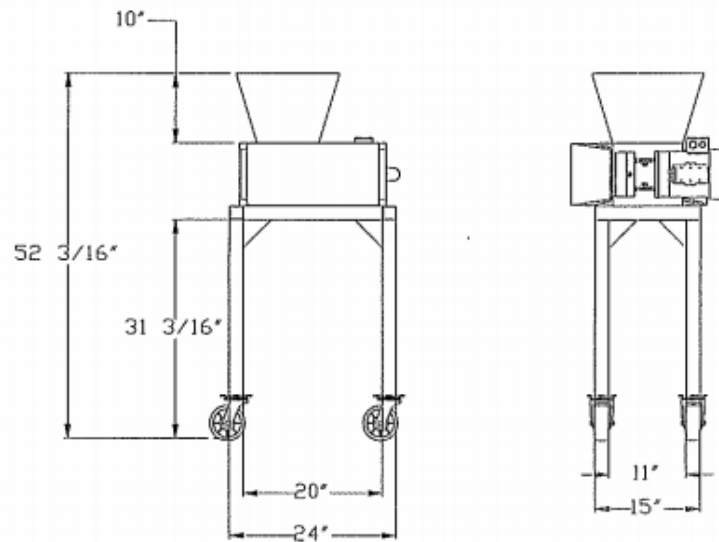
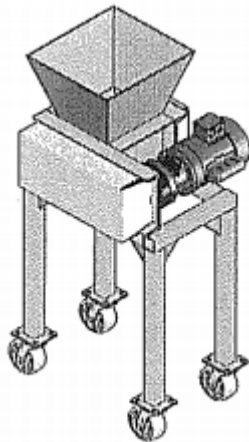
Less downtime, noise and dust emission than high speed shredders.

# MEDICAL PLANT WASTE SHREDDERS

## Series 1: MJ Dual Shaft Shredders

### SPECIFICATIONS:

MODEL	HP	CUTTER WIDTH	CUTTING CHAMBER	LBS. PER HOUR
MJ-21001	1	5/16"	8" W x 10" L	100
MJ-21003	3	5/16"	12" W x 12" L	300
MJ-21005	5	5/16"	12" W x 12" L	500



### SPECIFICATIONS:

<b>VOLTAGE:</b>	ELECTRIC DRIVE
<b>120V</b>	MJ-21001 ONLY
<b>220V - 1 PHASE</b>	MJ-21001 / 21003 / 21005
<b>ANY 3 PHASE</b>	MJ-21001 / 21003 / 21005
<b>CUTTER MATERIAL</b>	4140 HT, AR500
<b>AUTO REVERSE</b>	INCLUDED
<b>HOUR METER</b>	INCLUDED
<b>POWER LOCK OUT</b>	INCLUDED
<b>3 CUBIC FOOT BIN</b>	16" W X 19" L X 17" H
<b>SAFETY DOOR</b>	INCLUDED

