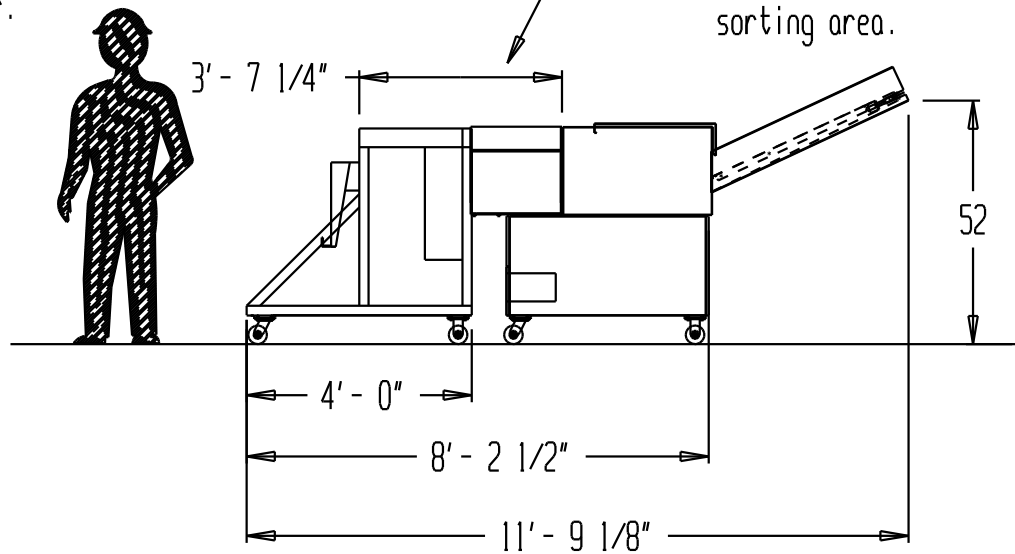


Please Specify if tipper will be used on the right or left hand side of shredder.

T1-A Tipper with feed table. Please note this table mounted to tipper matches height of shredder feed tables. Therefore this entire area can be used as a feeding/ sorting area.



**PROPRIETARY INFORMATION**  
THIS DRAWING IS THE CONFIDENTIAL PROPERTY OF AMERI-SHRED CORP. AND TRANSMITTED IN CONFIDENCE. THE REPRODUCTION, USE OR DISCLOSURE, IN WHOLE OR IN PART, OF THE DESIGN OR DETAILS CONTAINED HEREIN IS PROHIBITED WITHOUT THE EXPRESS WRITTEN PERMISSION OF AMERI-SHRED CORP.

	JOB NO.:	TOLERANCES - DO NOT SCALE 2-PLACE DIMS: 1/2-0.010 3-PLACE DIMS: 1/2-0.005 4-PLACE DIMS: 1/2-0.0005 UNLESS OTHERWISE SPECIFIED
	QTY REQ'D:	
DWG. DATE: 2-28-07	SCALE:	
DRAWN BY: JEFF BEAUDOIN		
MATERIAL:		
TITLE: <b>AMS 1000, TIPPER, CONVEYOR</b>	DRG. NO.:	PROPOSAL