



MEDICAL WASTE SHREDDERS

Series 1 MWS Dual Shaft Shredders

Medical Waste Shredders utilize a low speed, high torque design to easily shred small medical waste to a desired size.

MEDICAL WASTE INCLUDES:

- Syringes
- Boxed Waste
- Pill Bottles
- ID Badges



Features & Options

BEARING PROTECTION

Shredded contaminants are prevented from reaching the bearings through the use of false walls and seals.

INDIVIDUAL CLEANING FINGERS

Reduces wrapping and material packing between the cutters, while being easy to remove and adjust.

CUSTOM LAYOUTS

System Engineers will work to ensure the shredder and supports fit seamlessly into your system.

CUTTER DESIGN

The number and length of hooks, as well as cutter width are selected to maximize throughput.

AUTO SHAFT REVERSAL

Improves online reliability by reorienting material to grab, preventing overfeeding, and protecting against damage from unshreddable objects.

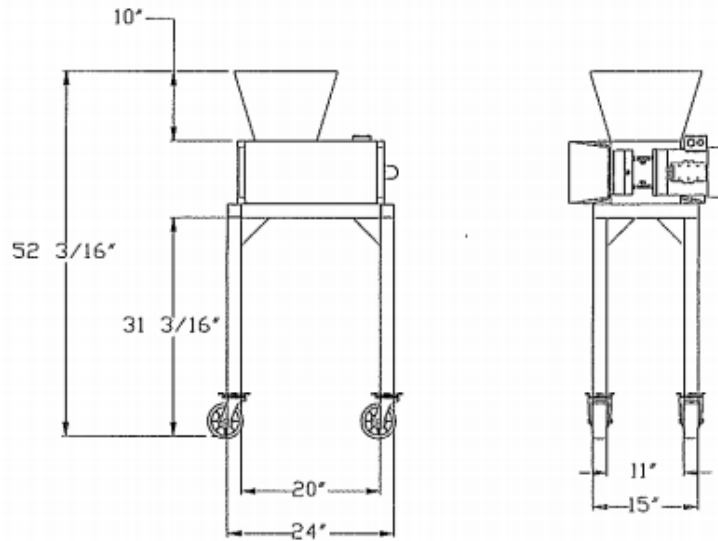
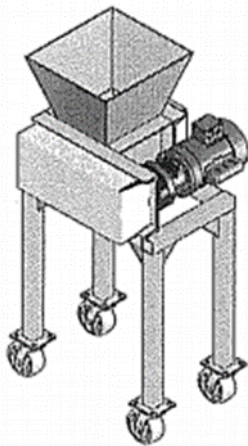
HIGH TORQUE, LOW SPEED TECHNOLOGY

Less downtime, noise and dust emission than high speed shredders.

MEDICAL WASTE SHREDDERS

Series 1 MWS Dual Shaft Shredders

THROUGHPUT:				
MODEL	HP	CUTTER WIDTH	CUTTING CHAMBER	LBS. / HOUR
MWS-21001	1	5/16"	8" W x 10" L	100
MWS-21003	3	5/16"	12" W x 12" L	300
MWS-21005	5	5/16"	12" W x 12" L	500



SPECIFICATIONS:	
CHAIN DRIVE	1 HP MODEL
DIRECT DRIVE	3 & 5 HP MODELS
CUTTER MATERIAL	4140 HT, AR500
VOLTAGE	120/208/230/460 VOLT
-120V	1 HP MODEL ONLY
4 CUBIC FOOT BIN	1 HP MODEL ONLY
AUTO REVERSE	3 & 5 HP MODELS ONLY
POWER LOCK OUT	INCLUDED
ENCLOSED STAND	AVAILABLE
CUSTOM SHRED WIDTHS	AVAILABLE
CONVEYORS	AVAILABLE

