



# CASINO WASTE SHREDDERS

## CWS-500 Dual Shaft Shredders

Casino Waste Shredders utilize a low speed, high torque design to easily shred small medical waste to a desired size.

### CASINO WASTE INCLUDES:

- Casino Chips
- Playing Dice
- Card Decks
- Gaming Tokens
- Key Cards
- ID Badges



## Features & Options

### BEARING PROTECTION

Shredded contaminants are prevented from reaching the bearings through the use of false walls and seals.

### INDIVIDUAL CLEANING FINGERS

Reduces wrapping and material packing between the cutters, while being easy to remove and adjust.

### CUSTOM LAYOUTS

System Engineers will work to ensure the shredder and supports fit seamlessly into your system.

### CUTTER DESIGN

The number and length of hooks, as well as cutter width are selected to maximize throughput.

### AUTO SHAFT REVERSAL

Improves online reliability by reorienting material to grab, preventing overfeeding, and protecting against damage from unshreddable objects.

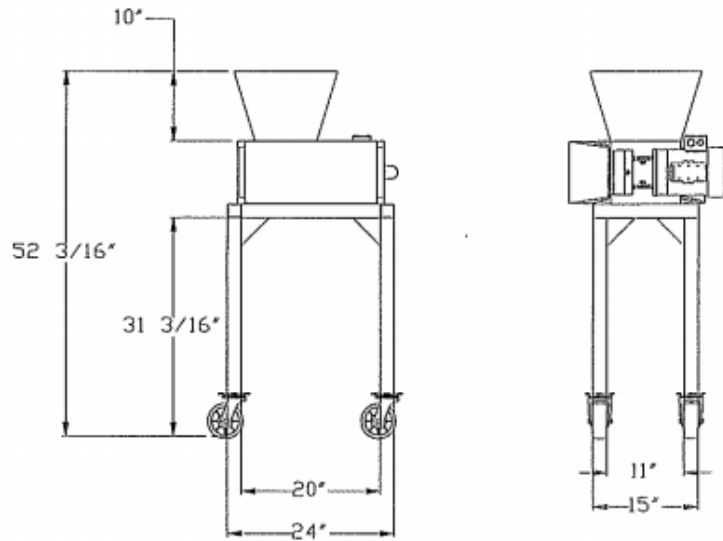
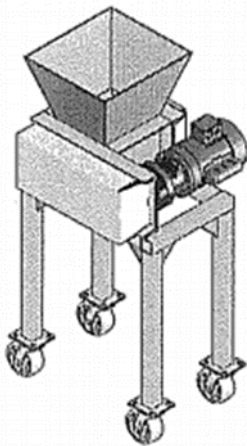
### HIGH TORQUE, LOW SPEED TECHNOLOGY

Less downtime, noise and dust emission than high speed shredders.

# CASINO WASTE SHREDDERS

## CWS-500 Dual Shaft Shredders

THROUGHPUT				
MODEL	HP	CUTTER WIDTH	CUTTING CHAMBER	LBS. / HOUR
CWS-500	5	5/16"	12" W x 12" L	500



### SPECIFICATIONS:

<b>DRIVE</b>	DIRECT
<b>CUTTER MATERIAL</b>	41 40 HT, AR500
<b>VOLTAGE</b>	3-PHASE
<b>AUTO REVERSE</b>	INCLUDED
<b>POWER LOCK OUT</b>	INCLUDED
<b>ENCLOSED STAND</b>	AVAILABLE
<b>CUSTOM SHRED WIDTHS</b>	AVAILABLE
<b>INFED CONVEYOR</b>	AVAILABLE
<b>OUTPUT CONVEYOR</b>	AVAILABLE
<b>WARRANTY</b>	ONE YEAR

